



# AC300W

## ATX Mid-Tower PC Case



### INSTALLATION GUIDE

安裝說明書 / 安装说明书

Please visit [www.gigabyte.com](http://www.gigabyte.com) for more product information.



#### Warranty

Gigabyte provides limited product warranty. For the latest and current terms of the Limited Product Warranty, please visit <http://www.gigabyte.com/support-downloads/customer-service.aspx>.

#### WEEE Information

This symbol on the product or in the instructions means that your electrical and electronic equipment should be disposed at the end its life separately from your household waste.

There are separate collection system for recycling in the EU.

For more information, please contact the local authority or your retailer where you purchased the product.

有害物质禁用表  
根据中国电子信息产品污染控制管理办法的要求

部件名称	有毒有害物质或元素					
	铅(Pb)	汞(Hg)	镉(Cd)	六价铬(Cr(VI))	多溴联苯(PBB)	多溴二苯醚(PBDE)
机箱组	X	○	○	○	○	○
面板组	X	○	○	○	○	○
I/O模块	X	○	○	○	○	○
风扇	X	○	○	○	○	○
安装套件	X	○	○	○	○	○
电源	X	○	○	○	○	○

○ 表示在此部件所用的同类材料中,所含此有毒或有害物质均低于SJ/T11363-2006的限制要求  
X 表示在此部件所用的同类材料中,至少一种所含此有毒或有害物质高于SJ/T11363-2006的限制要求

Asia (Headquarters)  
GIGA-BYTE TECHNOLOGY CO., LTD. Taiwan  
Address: No.6, Baoqiang Rd., Xindian Dist., New Taipei City 231, Taiwan  
Tel: +886-2-8912-4000  
<http://www.gigabyte.com>

China  
GIGABYTE CHINA  
Address: 24/F, HaiTong Securities Tower, No.689 Guangdong Road, Shanghai, China  
Tel: +86-21-6340-0912

Europe  
G.B.T. TECHNOLOGY TRADING GMBH Germany  
Address: Bullenkoppel 16, 22047 Hamburg, Deutschland  
Tel: +49-40-25 33 040

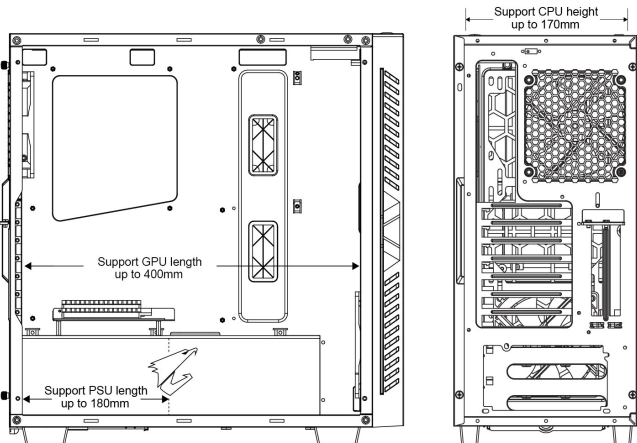
North America  
G.B.T. INC. USA  
Address: 17358 Railroad Street, City of Industry, CA91748 USA  
Tel: +1-626-854-9338

12QB1-AC300E-0\*R

#### FITTING PACK / 安裝套件 / 安装套件

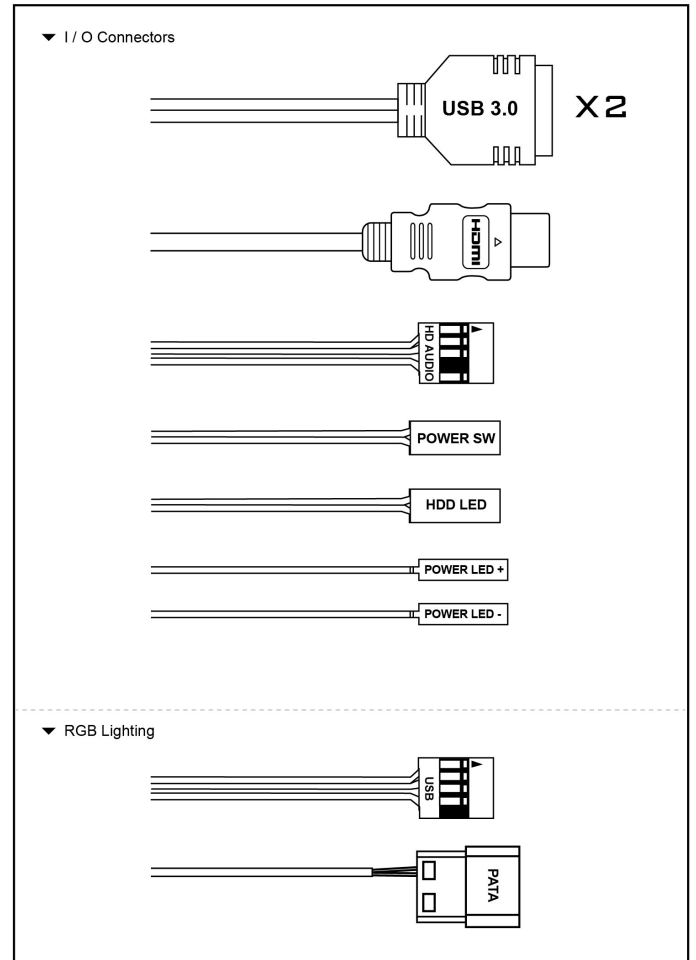
Figure	Part's Name	Qty	Used For
	Screw-A	5	PSU
	Screw-B	14	Motherboard (12) / PCI (2)
	Screw-C	12	3.5" HDD
	Screw-D	14	2.5" SSD / Metal Plate
	Standoff Socket	1	Metal Plate
	Standoff - 16.8mm	2	Metal Plate
	Metal Plate	1	PCIe Raiser Cable
	Nut Setter	1	Standoff Installation
	Cable Tie	10	Cable Management
	Standoff - 6.5mm	5	Motherboard(3) / Metal plate (2)

Max CPU Height : 170mm / Max VGA Length : 400mm / Max PSU Length : 180mm



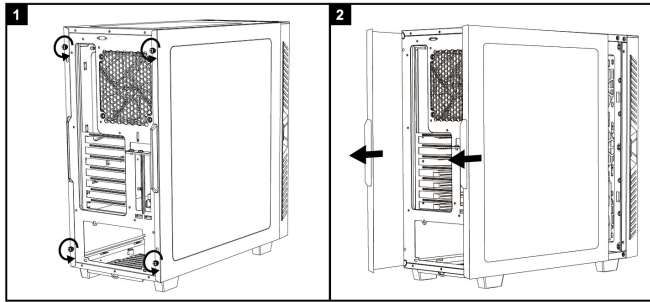
#### THE I/O CONNECTORS AND RGB LIGHTING POWER

連接輸出接頭以及面板燈光電源 / 连接输出接口以及面板灯光电源

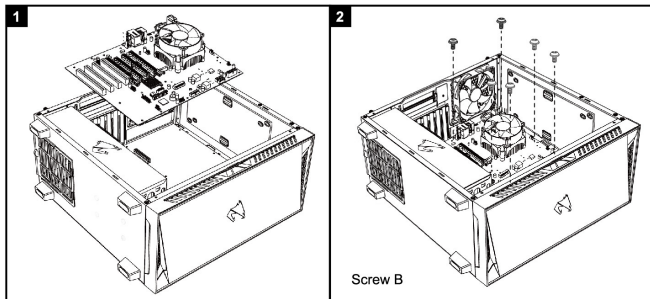


# INSTALLATION / 安裝說明 / 安裝說明

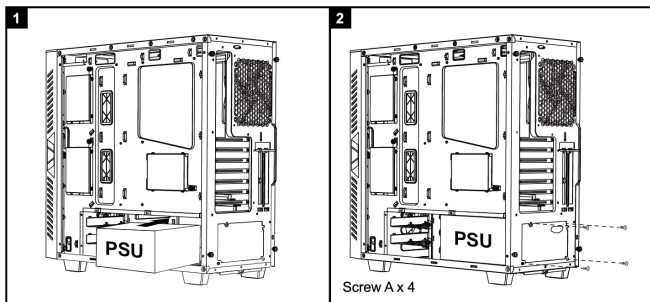
## 1. Remove both side panels / 先拆下兩邊側板 / 先拆下兩邊側板



## 2. Install the motherboard / 安裝主機板 / 安裝主板

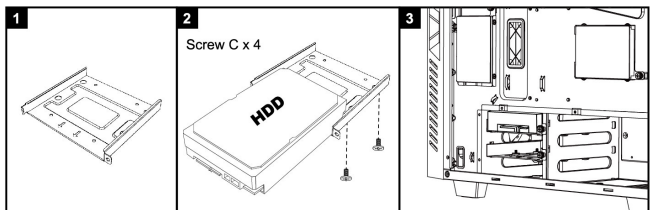


## 3. Install the power supply / 安裝電源供應器 / 安裝電源供應器

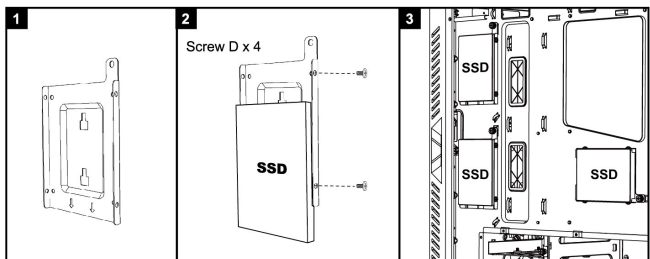


## 5. Install the hard drive / 安裝硬碟 / 安裝硬盤

### 5.1 For 3.5" cage / 3.5" 插槽 / 3.5" 插槽

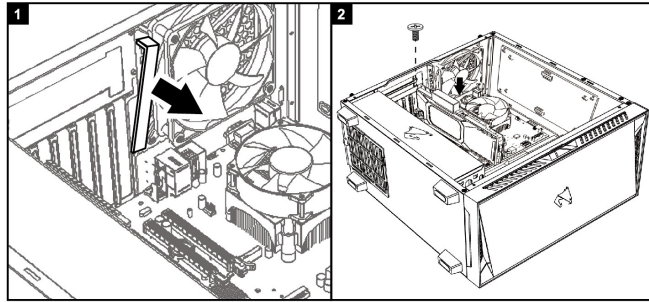


### 5.2 For 2.5" cage / 2.5" 插槽 / 2.5" 插槽



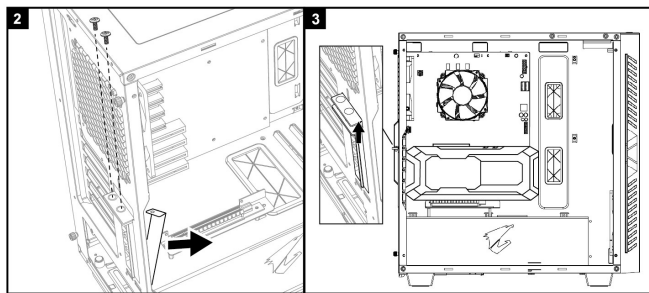
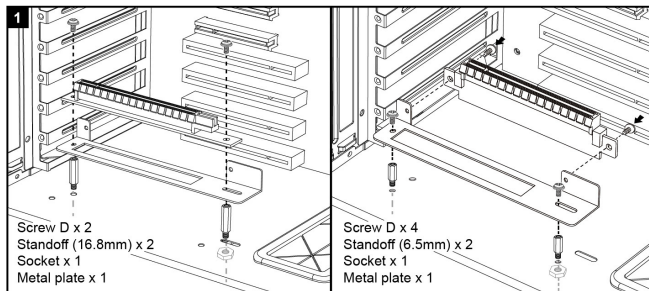
## 4. Install the add-on cards / 安裝顯示卡 / 安裝显卡

### 4.1 Horizontal VGA card installation / 橫插式顯示卡安裝 / 橫插式显卡安裝



### 4.2 Vertical VGA card installation (requires optional PCIe raiser cable)

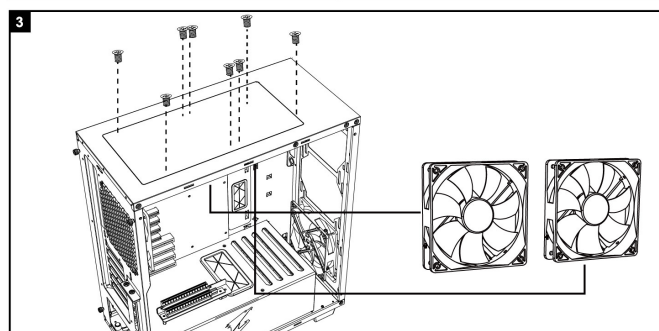
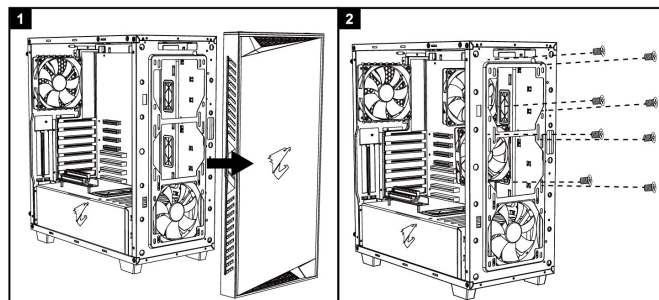
垂直式顯示卡安裝 (需額外添購PCIe延伸線) / 垂直式显卡安裝 (需額外添購PCIe延伸線)



\*For better cooling efficiency, the graphics card should be within 2.5 slot height by vertical installation.  
為了較好的散熱效能，建議垂直安裝的顯卡厚度不要超過 2.5 slot

## 6. Install the additional system fan(not included)

安裝系統風扇 (額外添購) / 安裝系統風扇 (額外添購)



## 7. Cooling System Support / 散熱系統支援 / 散熱系統支持

